

# Measuring wheel MRG5001

Circumference 500 mm



Technical information

Version 24-02-2025

## Measuring wheel MRG5001



- **Measuring wheel with NBR rubber tread**
- **Circumference 500 mm**
- **Mounting via collet assembly**
- **Ideal in combination with mounting arm MA2051**
- **Temperature range -30 ... +110 °C**
- **Available in ALU or stainless steel 316L (1.4404)**

Right to technical changes and errors reserved.

Internet: [www.tsb-bescom.nl](http://www.tsb-bescom.nl)  
Email: [sales@tsb-bescom.nl](mailto:sales@tsb-bescom.nl)  
Phone: +31 316250800

## Description

The MRG5001 is a measuring wheel with a rubber tread and a circumference of 500 mm. It is highly suitable for smooth surfaces. When combined with a 1250 pulses/rev encoder, it provides a resolution of 0.1 mm (with quadrature multiplication x4).

Using a collet assembly (SPxx), the measuring wheel is mounted onto the encoder shaft. The advantage of this is that the measuring wheel is always perfectly centered on the shaft.



## Technical data

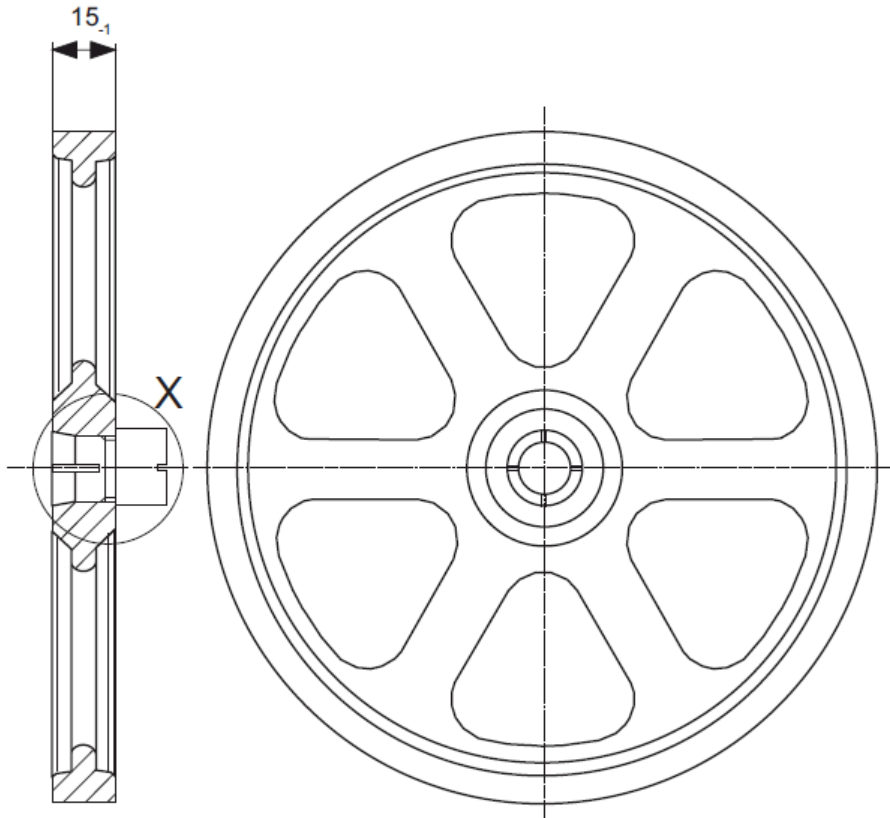
Measuring wheel	MRG5001	MRG5001-RVS
<b>Dimensions</b>		
Circumference	500 mm ±0,3 mm	
Outer diameter	159,15 mm	
Thickness	14 mm	
<b>General</b>		
Material	ALU	Stainless steel 316L (1.4404)
Tread material	NBR 70° Shore	
Temperature range	-30...110°C	
Weight without collet chuck	0,28 kg	0,75 kg
Collet assembly	SP08, SP10 or SP12	

Collet assembly consisting of a collet and collet chuck

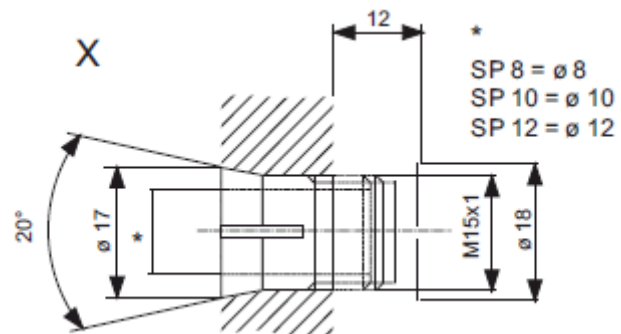
Collet assembly	SP08	SP10	SP12	SP10R
<b>Dimensions</b>				
For axis diameter	8 mm	10 mm	12 mm	10 mm
Outside diameter. collet	17/18 mm			
Thread collet	M15 x 1			
Outside diameter collet chuck	18 mm with saw cut			
<b>General</b>				
Material	Messing	Messing	Messing	Stainless steel 316L (1.4404)
Weight	0,033 kg	0,029 kg	0,023 kg	0,097 kg

## Dimensions

Measuring wheel MRG5001, MRG5001-RVS



## Collet



## Order information

Article	Description	Text description
ABMRG5001	MRG5001	Circumference 500 mm ALU
ABMRG5001-RVS	MRG5001-RVS	Circumference 500 mm Stainless steel 316L (1.4404)
ABSP08	SP08	Collet assembly 8 mm messing
ABSP10	SP10	Collet assembly 10 mm messing
ABSP12	SP12	Collet assembly 12 mm messing
ABSP10R	SP10R	Collet assembly 12 mm Stainless steel 316L (1.4404)



tsb-bescom bv  
Sporallee 8  
6921HZ Duiven  
Phone: +31 316250800  
Internet: [www.tsb-bescom.nl](http://www.tsb-bescom.nl)  
Webshop: [webshop.tsb-bescom.nl](http://webshop.tsb-bescom.nl)  
Email: [sales@tsb-bescom.nl](mailto:sales@tsb-bescom.nl)