

Mounting arm MA2051

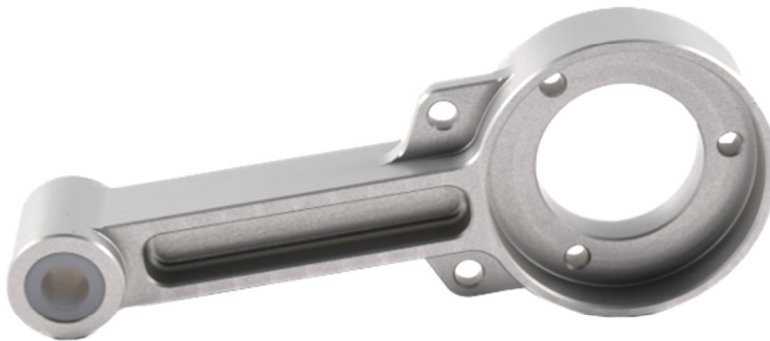
For 58 mm clamping flange



Technical information

Version 26-02-2025

Mounting arm MA2051



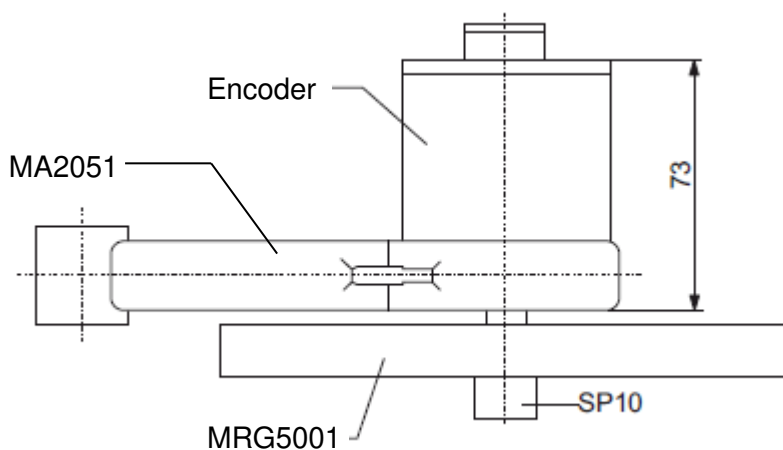
- For encoders with clamping flange 58mm
- Ideal in combination with measuring wheel MRG5001
- Temperature range -40 ... +80°C
- Material ALU

Right to technical changes and errors reserved.

Internet: www.tsb-bescom.nl
Email: sales@tsb-bescom.nl
Phone: +31 316250800

Description

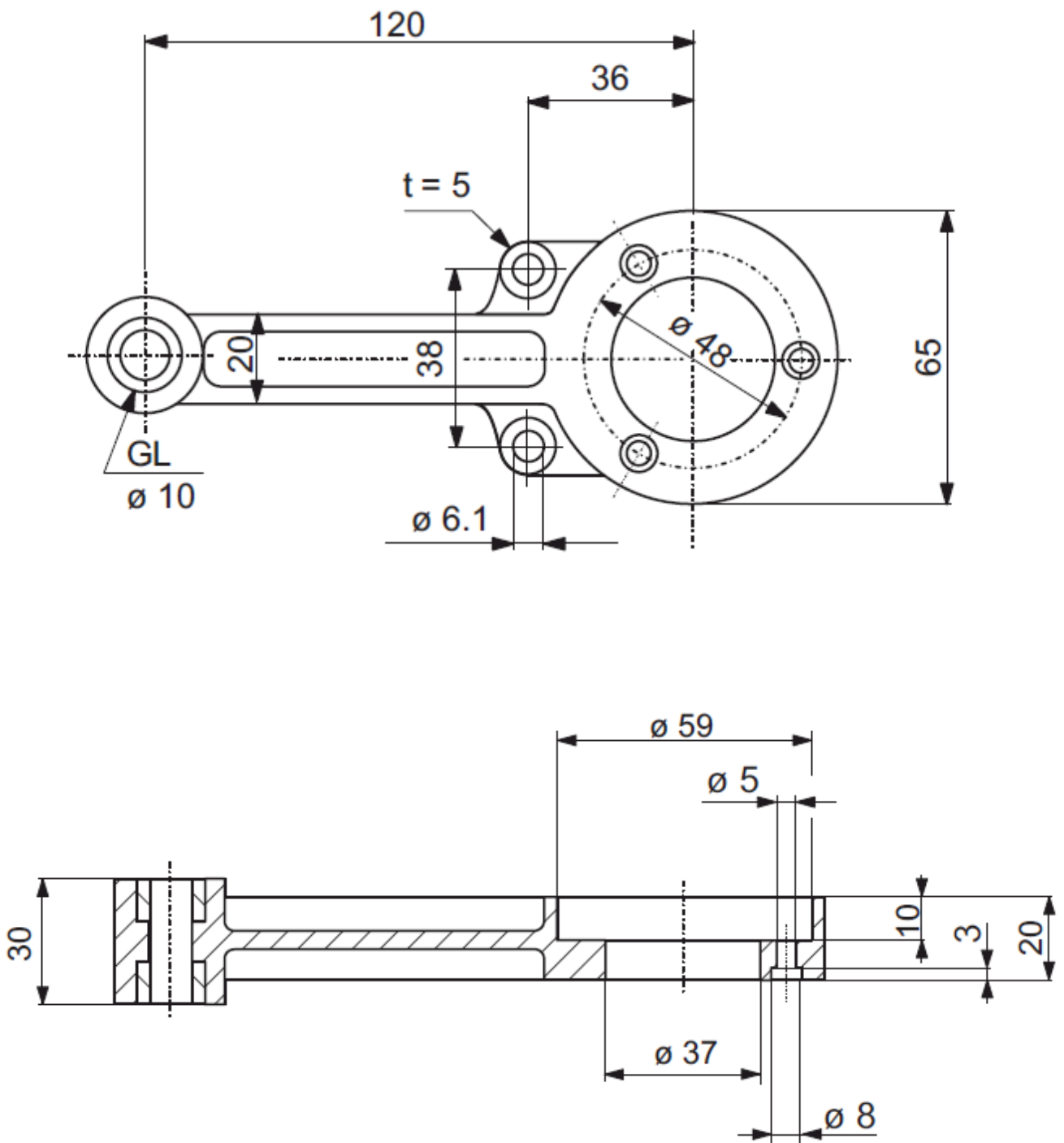
The MA2051 is designed for mounting encoders with a 58 mm clamping flange, onto which a measuring wheel is attached. The measuring wheel is then mounted directly onto the shaft of the encoder. The pivot point of the MA2051 is equipped with a nylon sliding bearing ($\text{Ø}10$ mm).



Technical data

	MA2051
General	
Material	ALU anodized
Pivot point	Nylon slide bearing $\text{Ø}10$ mm
Temperature range	-40...80°C
Weight	0,158 kg
Application	
Encoder type	58 mm clamping flange

Dimensions MA2051



Dimensions in mm

Order information

Article	Description	Text description
ABMA2051	MA2051	Mounting arm 58 mm clamping flange



tsb-bescom bv
Sporallee 8
6921HZ Duiven
Phone: +31 316250800
Internet: www.tsb-bescom.nl
Webshop: webshop.tsb-bescom.nl
Email: sales@tsb-bescom.nl