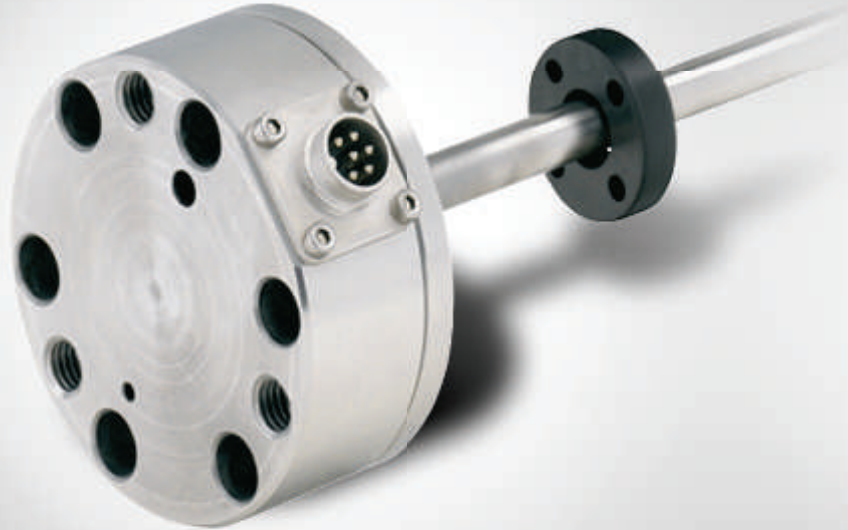


GB-F
Goodbye



GB-S
Welcome



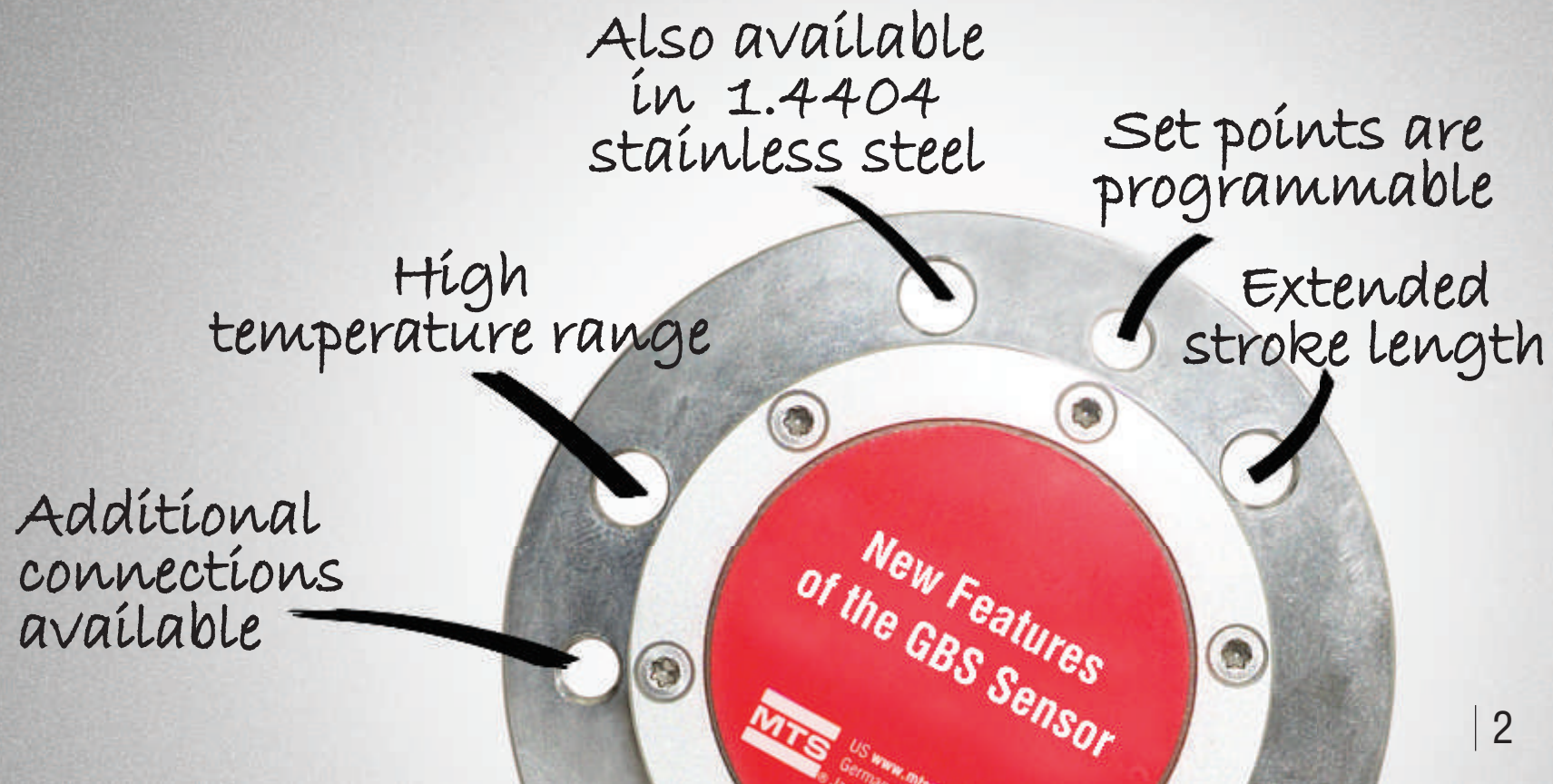
Guidance for change

From GB-F sensor to the new GB-S sensor

Pretty smart!

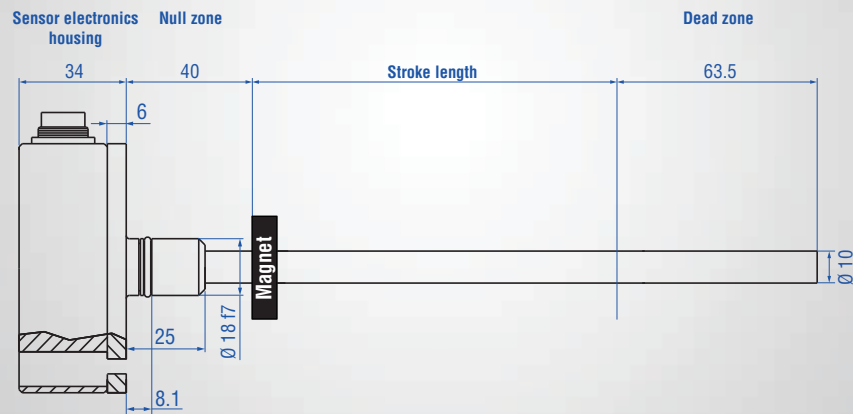
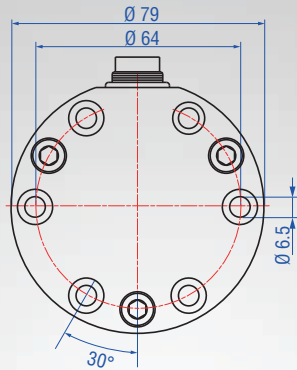
Use the improved features of the GB-S sensor already today. The switch from GB-F sensor to GB-S sensor is really easy, as shown on the next pages.

Curious?
Learn more about
the GB sensor



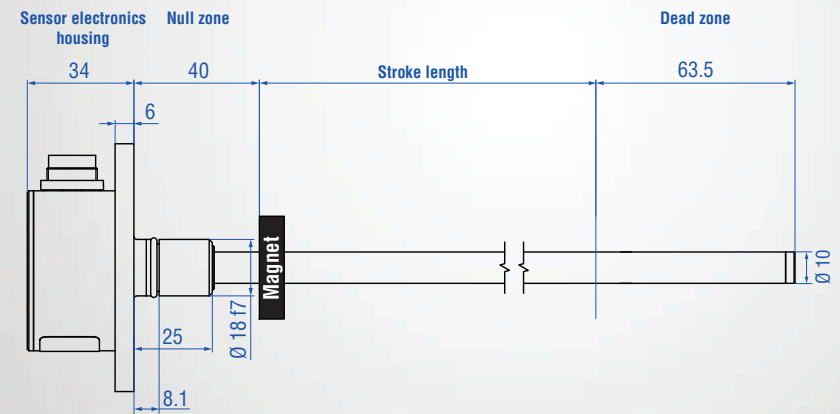
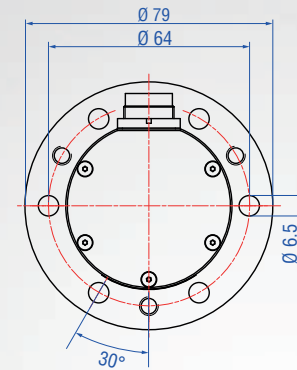
GB-F

Goodbye



GB-S

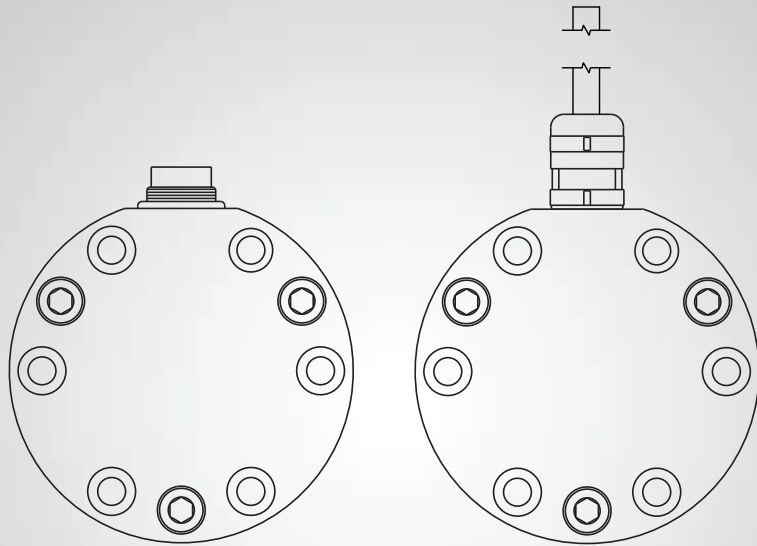
Welcome



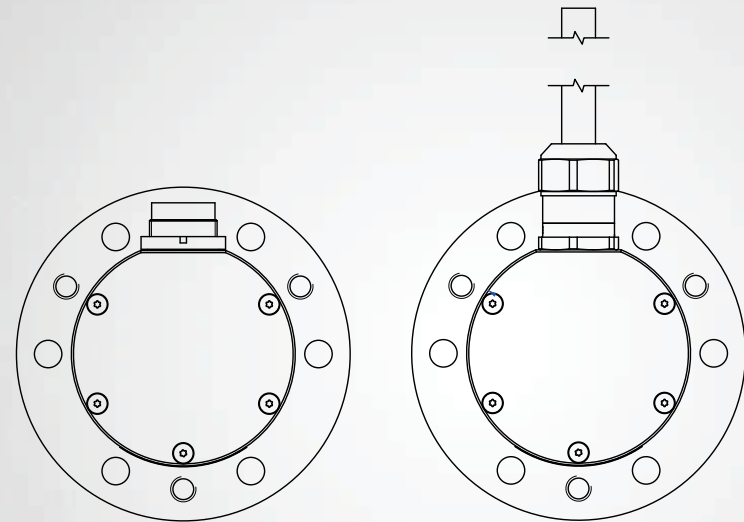
Easy to change.

The GB-F sensor and the GB-S sensor are mechanically compatible.

GB-F *Goodbye*



GB-S *Welcome*



Easy to connect.

The GB-F sensor and the GB-S sensor are available with 6 pin M16 connector and cable outlet for analog and SSI output. The pin and cable assignment of both sensors are equal.

Easy to order!

MTS Sensor Technologie GmbH & Co. KG
Auf dem Schüffel 9 - D-58513 Lüdenscheid
www.mtssensors.com

 **GB Analog
Data Sheet**

 **GB SSI
Data Sheet**